

KIT PART NUMBER 4305075

INSTRUCTIONS FOR INSTALLING A DIRECTION SWITCH REPLACEMENT KIT

**CHECK THE PARTS RECEIVED IN THE KIT WITH THE PARTS LIST
IN THESE INSTRUCTIONS. IF ANY PARTS ARE MISSING,
CONTACT NATIONAL VENDORS' PARTS DEPARTMENT IMMEDIATELY.**

Read these instructions carefully before installing the kit.
Retain these instructions for part numbers and for future reference.

This kit contains the following:

PART NUMBER	DESCRIPTION	QUANTITY
4305070	Push Button Assembly, Membrane and Arrow	1
4305066	Insert, Upper, Validator Instructions	1
4305072	Insert, Upper, Coins Only Instructions	1
4305078	Shim Assembly, Directional Switch	1
4305076	Instructions	1

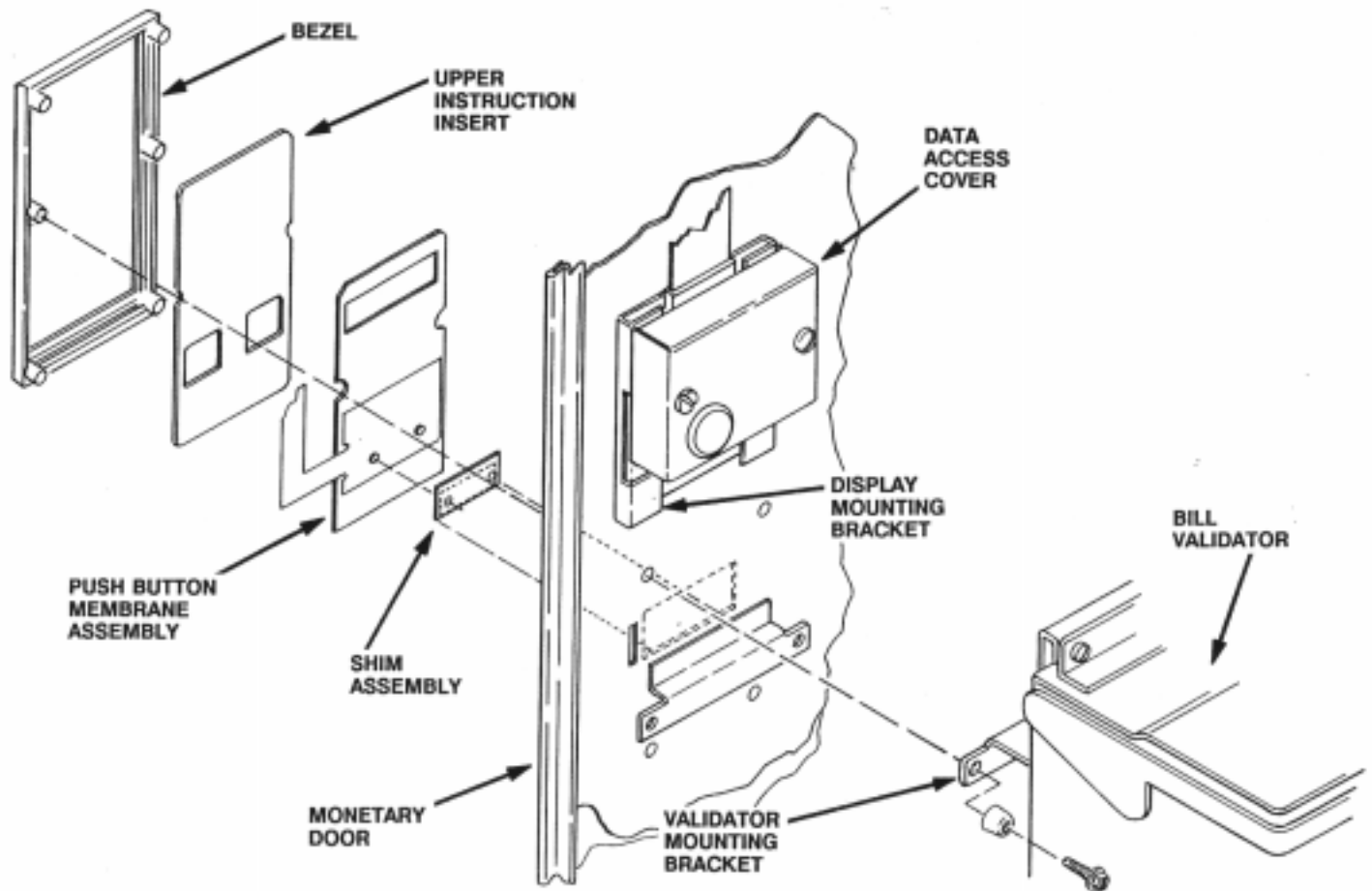
WARNING

**DISCONNECT THE MERCHANDISER
FROM ITS POWER SOURCE
BEFORE INSTALLING THIS KIT.**

REMOVING THE OLD PUSH BUTTON MEMBRANE ASSEMBLY

If the merchandiser has a bill validator, go on to Step 1; otherwise, advance to Step 3.

1. Disconnect the harnesses leading to the bill validator controller.
2. Remove the validator and the remote validator controller when appropriate.
3. Remove the two screws securing the data access cover to the display mounting brackets.
4. Disconnect the switch membrane from the display PCB.
5. Remove the two screws securing the display mounting brackets to the push button bezel.
6. Remove the four remaining screws securing the bezel to the monetary door.
7. Remove the bezel.
8. Remove the upper instruction insert.
9. Remove the switch membrane assembly.



INSTALLING THE NEW PUSH BUTTON MEMBRANE ASSEMBLY

1. Remove the paper backing from the shim assembly.
2. Position the shim as shown above, with the adhesive next to the monetary door and firmly press into place.
3. Carefully feed the lead of the membrane assembly through the slot in the monetary door.
4. Place the upper instruction insert and the bezel in position.
5. Secure the display mounting brackets to the door and the bezel.
6. Connect the membrane assembly to the display PCB.
7. Replace the data access cover.

If the merchandiser has a bill validator, go on to the next step; otherwise, advance to Step 9.

8. If one of the validator mounting brackets was removed previously, it should now be reinstalled.
9. Replace any remaining screws used to secure the bezel to the monetary door.

If the merchandiser has a validator, go on to the next step; otherwise, the installation of this kit is complete.

10. Replace the bill validator and the remote validator controller when appropriate and reconnect the validator harnesses.